

Electronic Sounders

Sonos Sounder (AC)



Features

- Dual Voltage 110V AC or 230V AC
- Smooth flow cabling for faster installation
- Up to 106dB (A) @ 1 metre
- No locking screw required
- Weatherproof to IP65
- Synchronised alarm tones

Overview

A general purpose AC electronic sounder for fire, security and industrial applications.

With a choice of 32 tones including all the major European standards, Sonos is suitable for use across Europe.

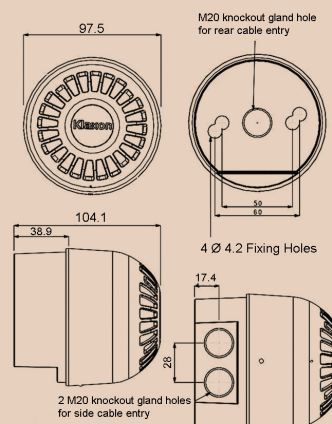
Sonos AC sounders are weatherproof to IP65 and can be used in all locations both indoors and outdoors.

Sonos sounder units are available in either red or white. Other colours are available depending on quantity.

- Fire
- Security
- Industrial
- Railway/Marine
- Hazardous Area
- Public Warning

Applications

- Fire; security; industrial alarm



Part No.	Colours	Audibility at 1m (tone dependent)	Tones	Voltage	Current (tone dependent)
18-980480 (deep base)	Red	Up to 106dB (A)	32	110/230V AC	50mA
18-980481 (deep base)	White	Up to 106dB (A)	32	110/230V AC	50mA

IP Rating: IP65 **Rating:** Continuous **Frequency:** 400-2850Hz **Operating Temp:** -25°C to +55°C
Construction: Flame Retardant Polycarbonate **Cable Entries:** 2 x 20mm cable glands **Weight:** 250g
Compliance: EN60950